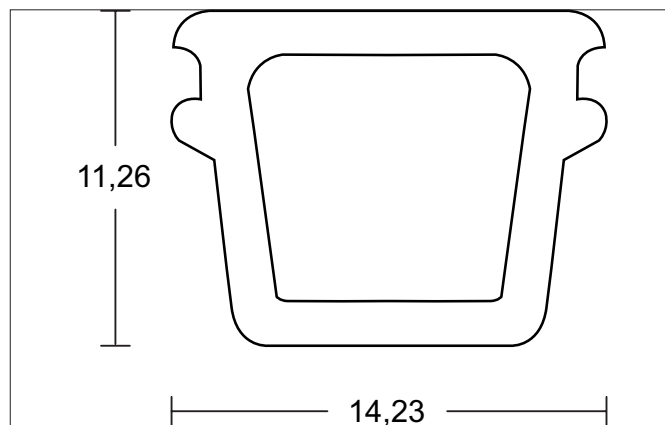


Plaster protection

Article no. 53449080

Light.
For Generations.**Tender**

Plaster protection, black. for Mounting method: Recessed mounting, dimensions profile: length: 5.000 mm x width: 14,2 mm x height: 11,3 mm .

Product Benefits

- Plastering protection is clicked in after the installation of the tile or dry installation profiles for protection.
- The material Soft-PVC is very robust and withstands the pressure during filling, plastering or painting.
- Our plastering protection prevents the filler, adhesive, sealant, silicone or paint from penetrating into the interior.
- Easy disassembly after work is done.
- Reusable, clean and dry thoroughly after use.

Article data	
Article no.	53449080
GTIN	4251433953548
Short description	Plaster protection
Colour	Black
Length	5,000 mm
Width	14.2 mm
Hight	11.3 mm
Weight	0.375 kg

Plaster protection

Article no. 53449080

Light.
For Generations.

Packing data	
Gross weight	0.39 kg
Length of packaging	300 mm
Packaging width	290 mm
Packaging height	40 mm
Note	Please note that the materials aluminium and PMMA or PC can expand differently with changes in temperature! At a temperature change of 10°C, the coefficient of expansion is approx. aluminium is approx. 0.7mm per metre, for plastic approx. 1.5mm per metre. This is not a defect in the product, this is a normal physical process.
Disposal at end of life	This product must not be disposed of with household waste. You are obliged, to dispose of such electrical waste separately. By disposing of electrical waste and other old or defective electronics separately, you support recycling or other forms of re-use. In that way you help to take care and to avoid that harmful substances get into the environment.