

Load Disconnect Switches and Motor Starters

Moulded case circuit breaker for The motor protection



8146/5-V27-108-055-10-21-1 Art. No. 249164



- Electric line and system protection for Ex e and Ex d motors
- Robust enclosure made from glass fibre-reinforced polyester resin
- Optional: Undervoltage release, shunt trip, ammeter, auxiliary contact

WebCode 8146N



R. STAHL's 8146/5-V27 series moulded case circuit breakers for motor protection protect Ex e and Ex d motors and their associated electric lines and systems. The standard variants feature an adjustable, phase-sensitive thermal overcurrent release or electromagnetic tripping mechanism, which has to be specified during the ordering process. They cannot be retrofitted.

Technical Data

Explosion Protection

Application range (zones)	1 2 21 22
IECEX gas certificate	IECEX PTB 06.0090
IECEX gas explosion protection	Ex db eb IIC T5 Gb
IECEX dust certificate	IECEX PTB 06.0090
IECEX dust explosion protection	Ex tb IIIC T95 °C Db
ATEX gas certificate	PTB 01 ATEX 1024
ATEX gas explosion protection	Ex II 2 G Ex db eb IIC T5 Gb
ATEX dust certificate	PTB 01 ATEX 1024
ATEX dust explosion protection	Ex II 2 D Ex tb IIIC T95 °C Db
EAC certificate	TS RU S-DE.AA71.B.00139
EAC gas explosion protection	Ex 1 Ex e * IIA ... IIC T6 ... T3 Gb X
EAC dust explosion protection	Ex tb IIIC T80 °C ... T130 °C Db X
Certificates	ATEX (PTB), Canada (FM), China (NEPSI), EAC (LPE), IECEX (PTB)

Electrical Data

Rated operational voltage AC	690 V
Switching capacity	12,4 kW
Release voltage AC	400 V
Current-setting range	0.63 – 1 A
Switching capacity AC-3 230 V	7 kW
Switching capacity AC-3 400 V	12.4 kW
Switching capacity AC-3 500 V	16 kW
Switching capacity AC-3 690 V	22 kW
Ammeter present	No
Auxiliary contacts	Without

Load Disconnect Switches and Motor Starters

Moulded case circuit breaker for The motor protection



8146/5-V27-108-055-10-21-1 Art. No. 249164

Electrical Data

Release	Undervoltage release
No. of poles	3
Frequency range	50 – 60 Hz

Ambient Conditions

Ambient temperature	-20°C ... +40°C
---------------------	-----------------

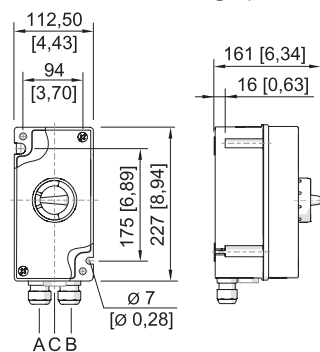
Mechanical Data

Degree of protection (IP)	IP66
Degree of protection note	acc. to EN/IEC 60529
Enclosure material	Polyester resin, Glass fibre reinforced
Type of screw connection	8161
Colour of handle	Black
Colour of protective collar	Black
Labelling rotary actuator	0 - I
Seal	Silicone, foamed
Lockable in	3x in 0
Weight	2.63 kg
Weight	5.8 lb

Components

Cable entries	3 x M25 Ø 7 – 17 mm
Entry type	Standard 8161, moulded material

Dimensional Drawings (All Dimensions in mm [inches]) – Subject to Alterations



Current adjustment range up to 16 A; without auxiliary contact

Cable entries

Version	Auxiliary con- tacts	Cable glands Series 8161		Stopping plugs Series 8290 M25 x 1.5
		M25 x 1.5	M32 x 1.5	
Current adjust- ment range up to 16 A	without	A, B	--	C
	with	A, B, C	--	--
Current adjust- ment range 16 ... 20 A, 20 ... 22.5 A	without	--	A, B	C
	with	C	A, B	--

We reserve the right to make alterations to the technical data, dimensions, weights, designs and products available without notice. The illustrations cannot be considered binding.