

8562/54-4040-320 Art. No. 149761



- Non-adjustable thermal and magnetic release
- Separator function in accordance with EN 60947-2
- Energy limitation class 3

WebCode **8562B**



R. STAHL Series 8562 miniature circuit breakers boast good current limiting for short circuits and a high switching capacity of 6 or 10 kA. This results in a low load on cables and a high selectivity for downstream fuses. The components have a modular design and are therefore available in 1- to 4-pole versions and for rated currents of 0.5-40 A.

Technical Data

Explosion Protection	
Application range (zones)	1 2
IECEX gas certificate	IECEX PTB 06.0062U
IECEX gas explosion protection	Ex de IIC T5 Gb
IECEX firedamp certificate	IECEX PTB 06.0062U
IECEX firedamp protection	Ex de I Mb
ATEX gas certificate	PTB 02 ATEX 1049 U
ATEX gas explosion protection	Ex II 2 G Ex de IIC T5 Gb
ATEX firedamp certificate	PTB 02 ATEX 1049 U
ATEX firedamp protection	Ex I M2 Ex de I Mb
Certificates	ATEX (PTB), Brazil (ULB), EAC (ENDCE), IECEX (PTB)
Electrical Data	
Rated operational voltage	400 V
Rated operational current	32 A
Type of voltage	AC
N-pole present	Yes
Tripping characteristic	C
Rated switching capacity	10 kA
No. of poles	4
Ambient Conditions	
Ambient temperature	-20 °C ... +60 °C
Mechanical Data	
Degree of protection (IP)	IP20
Enclosure material	Epoxy resin
Width	99 mm
Length	156 mm
Depth of cut-out	117 mm

8562/54-4040-320 Art. No. 149761

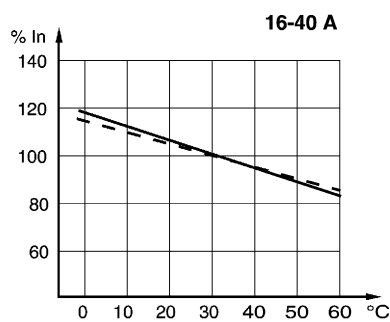
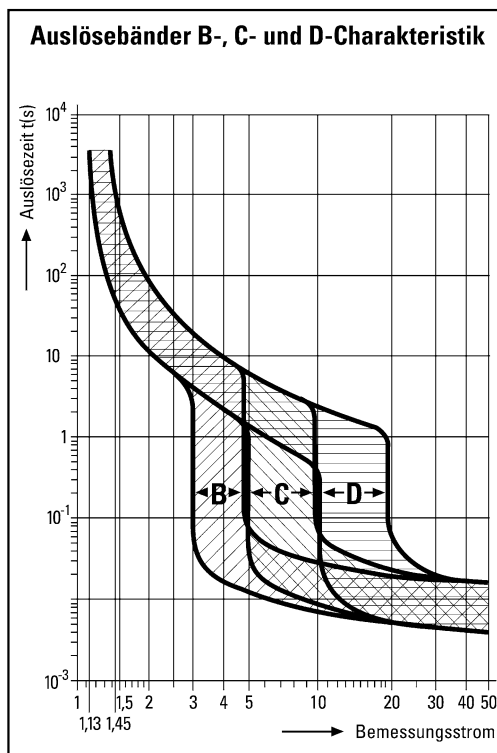
Mechanical Data

Weight	1.8 kg
Weight	3.97 lb

Technical Drawings – Subject to Alterations



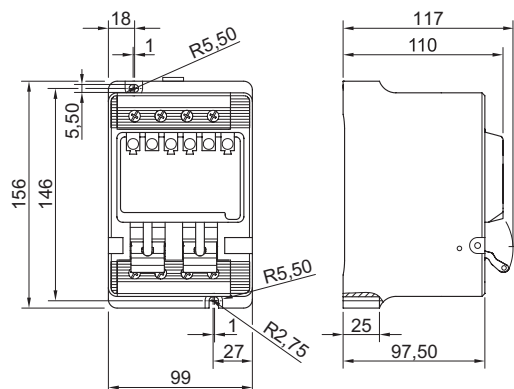
3 pole + N



Correction factors for ambient temperatures other than 30 °C

8562/54-4040-320 Art. No. 149761

Dimensional Drawings (All Dimensions in mm [inches]) – Subject to Alterations



8562/54

We reserve the right to make alterations to the technical data, dimensions, weights, designs and products available without notice. The illustrations cannot be considered binding.