

8060/2-2-DD-60 Art. No. 254900



- Operating temperature range: -60 °C to +60 °C
- Plastic Ex e enclosure
- Degree of protection IP66/67
- Five different contact versions
- Different actuator versions, which can be displaced by 4 x 90°
- Also applicable as simple apparatus

WebCode **8060B**



Plastic position switch; switch dimensions meet the requirements of DIN EN 50047. It is designed to detect the position of moving components. Certified versions fulfil the requirements for safety switches as set out in EN 13849-1 and have positive-opening contacts in accordance with EN 60947-5-1.

### Technical Data

#### Explosion Protection

Scope of validity	European Union (ATEX) IECEX
Application range (zones)	1 2 21 22
IECEX gas certificate	IECEX BVS 16.0066
IECEX gas explosion protection	Ex db eb IIC T6 Gb
IECEX dust certificate	IECEX BVS 16.0066
IECEX dust explosion protection	Ex tb IIIC T80 °C Db
ATEX gas certificate	BVS 16 ATEX E 100
ATEX gas explosion protection	⊕ II 2 G Ex db eb IIC T6 Gb
ATEX dust certificate	BVS 16 ATEX E 100
ATEX dust explosion protection	⊕ II 2 D Ex tb IIIC T80 °C Db
EAC certificate	TS RU S-DE.AA87.B.00619
EAC gas explosion protection	⊕ 1 Ex db e IIC T6 Gb
EAC dust explosion protection	⊕ Ex tb IIIC T80 °C Db
Certificates	ATEX (BVS), Canada / USA (CSA), EAC (CCVE), IECEX (BVS), India (PESO), Korea (KGS)

#### Electrical Data

Rated operational voltage DC	125 V
Rated operational voltage AC (equal potential)	500 V
Rated operational voltage (unequal potential)	250 V
Rated insulation voltage	500 V
Rated insulation voltage note	(for simple apparatus: 40 V)

8060/2-2-DD-60 Art. No. 254900

### Electrical Data

Rated operational current	2 A 4 A
Rated operational current note	(for simple apparatus: 200 mA): inductance $L_i$ and capacitance $C_i$ are negligible
Electrical service life	Max. $10^6$ operating cycles
Mechanical service life	Max. $10^6$ operating cycles
Rated surge voltage	6 kV
Short-circuit protection max.	6 A
Tripping characteristic	gL/gG
Maximum operating frequency	1800 operating cycles/h
Switching function	Snap-action contact

### Ambient Conditions

Ambient temperature	-60 °C ... +55 °C (max. 4 A) -20 °C ... +60 °C (IP67 (EN 60529)) (Max. 2 A) -60 °C ... +60 °C (Max. 2 A)
---------------------	--

### Mechanical Data

Version	2nd generation
Degree of protection (IP)	IP66
Degree of protection IP (IEC 60529)	IP67
Enclosure material	Thermoplast GF, impact resistant
Cover material	Duroplast GF, impact resistant
Contact material	Silver-nickel
Clamping range max.	13 mm
Clamping range min.	7 mm
Connection cross-section solid	0.75 – 1.5 mm <sup>2</sup>
Connection cross-section finely stranded	0.75 – 1.5 mm <sup>2</sup>
Number of NCs	1
Positive opening contact	No
Positive opening contact note	Not suitable for safety circuits!
Number of NOs	1
Actuator	Rod lever
Type of connection cable	Finely stranded
Contacts	1 NC + 1 NO
Contact system	2-pole, galvanically separated with double break
Contact opening	≥ 1.5 mm (isolating distance ≥ 3 mm)
Enclosure colour	Black
Seal	Silicone
Packaging unit	1
Weight	0.133 kg
Weight	0.29 lb

### Mounting / Installation

Connection	8161 1xM20x1.5 cable entry
Tightening torque	Screw terminals: 0.4 Nm max.; Cover screws: 0.4 ... 0.45 Nm; Cable glands: see installation note (enclosed unattached)

### Components

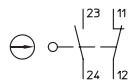
Cable entries	1 x M20 Ø 7 – 13 mm
---------------	---------------------

8060/2-2-DD-60 Art. No. 254900

### Components

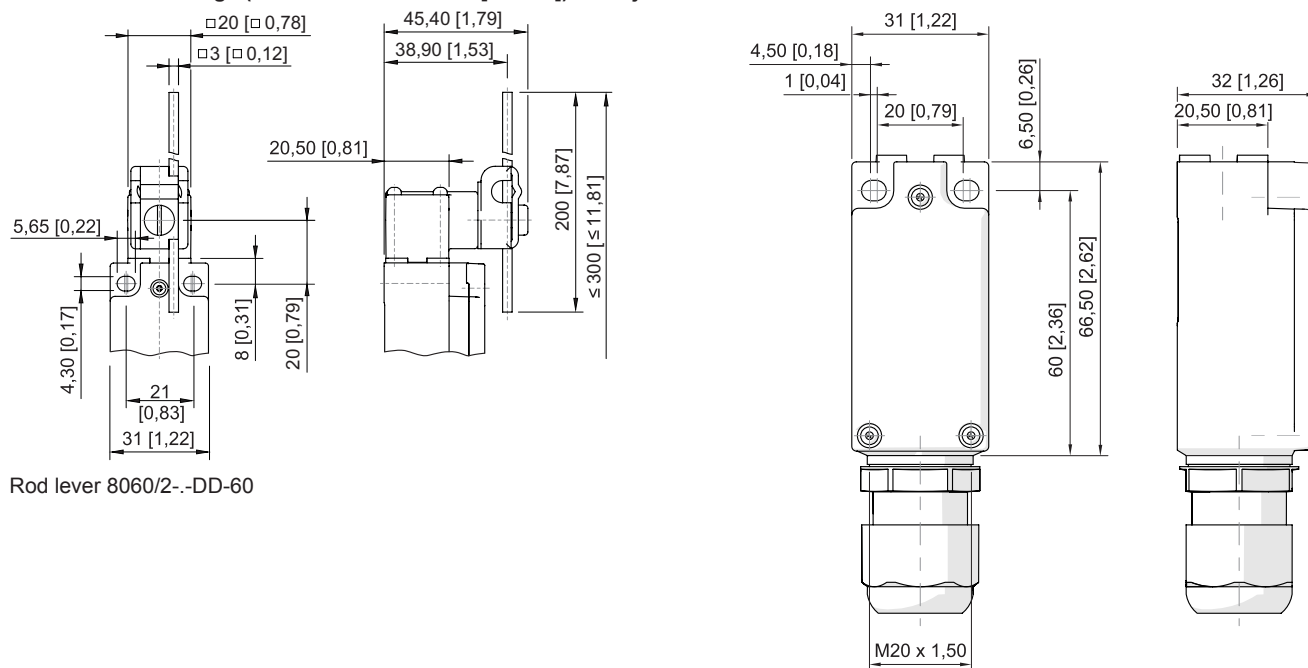
Material cable gland	Polyamide, Glass fibre reinforced
----------------------	-----------------------------------

### Technical Drawings – Subject to Alterations



Snap-action contact 1 NC + 1 NO  
8060/-2, 807./2-2

### Dimensional Drawings (All Dimensions in mm [inches]) – Subject to Alterations



Rod lever 8060/2--DD-60

### Accessories and Spare Parts

		Art. No.
		279482
Actuator		Art. No.
	Angled actuator	257053
	Straight actuator	257052

We reserve the right to make alterations to the technical data, dimensions, weights, designs and products available without notice. The illustrations cannot be considered binding.