

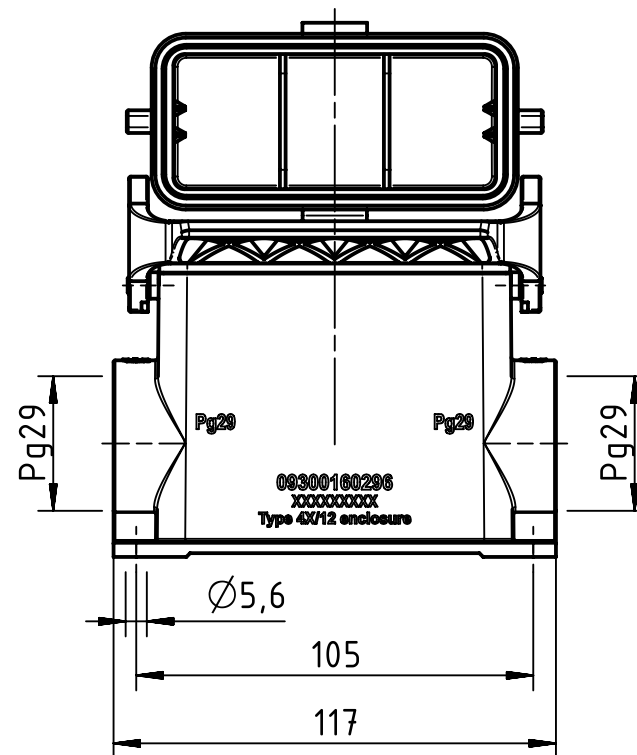
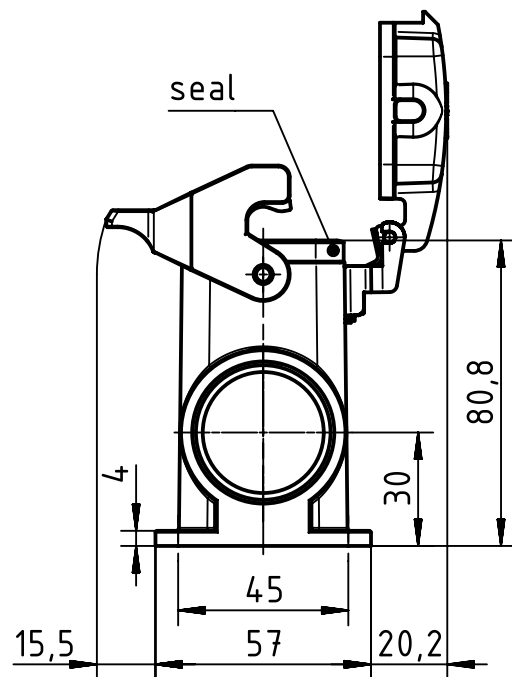
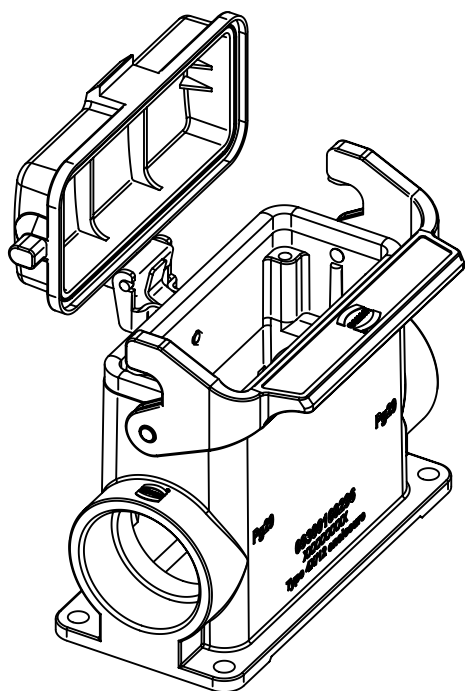
1 2 3 4 5 6

A

B

C

D



	All rights reserved Department EL PD - DE	All Dimensions in mm Original Size DIN A4		Scale 1:2	Free size tol.	Ref.
		HARTING Electric GmbH & Co. KG D-32339 Espelkamp	Created by RULLKOETTER	Inspected by BERGHORN	Standardisation TIEMANNA	Date 2016-07-19
Title Han B Base SM HC plastic cover Pg29						Doc-Key / ECM-Nr. 100210104/UGD/004/B 500000104270
Type TB				Number 09 30 016 0296		Rev. B
						Page 1/1