

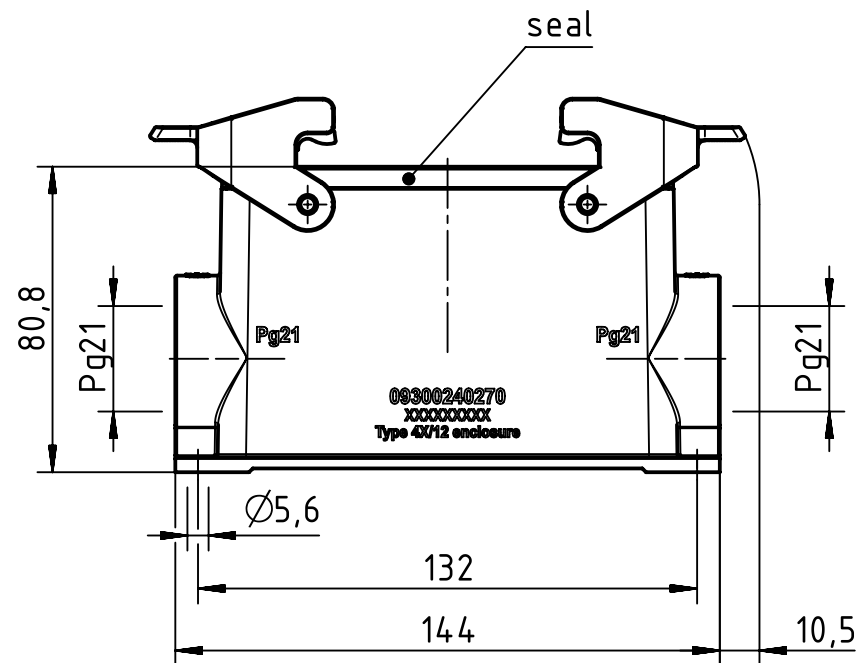
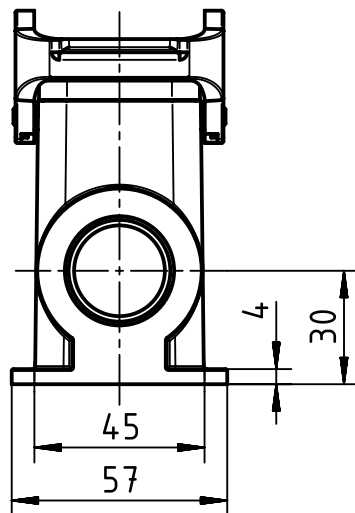
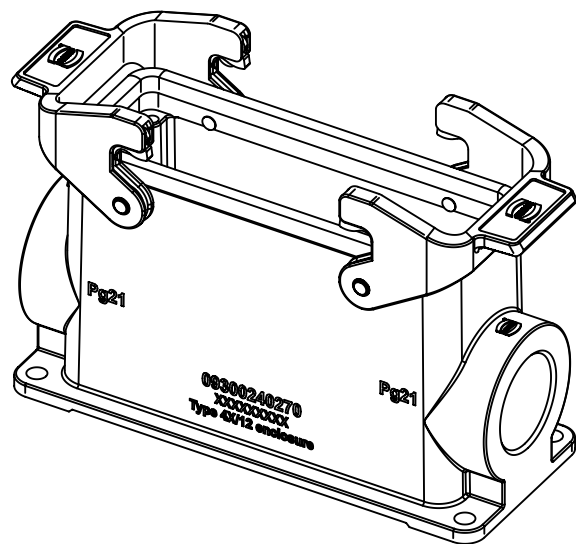
1 2 3 4 5 6

A

B

C

D



	All Dimensions in mm Original Size DIN A4		Scale 1:2		Free size tol.		Ref.	
							Sub. TB 09 30 024 0270 v. 04.03.11	
	All rights reserved		Created by RULLKOETTER	Inspected by BERGHORN	Standardisation SCHMIDTM	Date 2016-06-27	State Final Release	
	Department EL PD		Title Han B Base Surface HC 2 Levers 2 Entries				Doc-Key / ECM-Nr. 100205765/UGD/004/A 500000104272	
HARTING Electric GmbH & Co. KG D-32339 Espelkamp			Type TB	Number 09 30 024 0270			Rev. A	Page 1/1