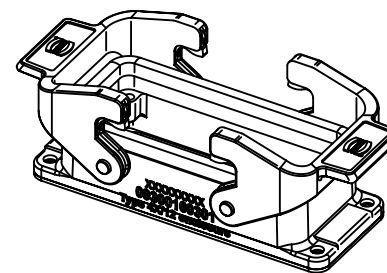
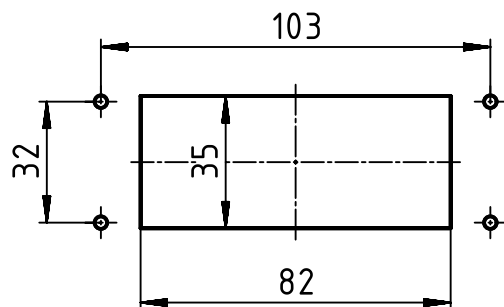



(1:2) panel cut out



	All rights reserved Department EL PD - DE	All Dimensions in mm Original Size DIN A4		Scale 1:1	Free size tol.	Ref. Sub.
		Created by FINKEV	Inspected by BERGHORN	Standardisation TIEMANNA	Date 2016-04-28	State Final Release
HARTING Electric GmbH & Co. KG D-32339 Espelkamp		Title Han 16B-HBM-double lever			Doc-Key / ECM-Nr. 100195606/UGD/004/B 500000103143	
		Type TB	Number 09 30 016 0301		Rev. B	Page 1/1