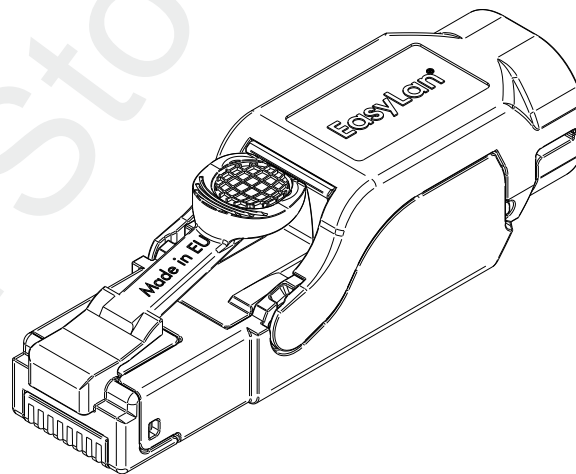



Technical datasheet

fixLink[®] RJ45 Plug Cat. 6_A ISO/IEC AWG26-22

Item No. : CKFFK001



a	Neuerstellung	28.06.2022	LE	drawn	28.06.2022	LE	 EasyLan [®] ...for a better connectivity		
				appr.	28.06.2022	MJ			
				Titel:				Dimensions: mm	
				fixLink [®] RJ45 Plug Cat. 6A ISO/IEC AWG 26 - AWG 22				Original: DIN A4	
Index	Revision code	Date	Name	Drawing number:		Sheet 1 of 4			
				ZN-CU220058					

Technical Data

Connector standard	IEC 60603-7
Mechanical characteristics	
Life (mating cycles)	≥ 750
Conductor diameter	AWG 26 - AWG 22
Insulation diameter	5 - 9 mm
Reusable (Plug)	≤ 5 cycles with the same diameter
EC Directive 2002/95/EC (RoHS)	RoHS-compliant
Materials	
Housing	Zinc diecast
Strain-relief spring	Stainless steel
Surface	Nickel plated
Shield spring	Stainless steel
PCB	FR-4
PCB finish	Chem. Ni/Au
RJ45 Contacts	CuSn6-H 50µin Au
IDC Contacs	CuSn6 tin plated 100µin
Insulation housing	PC light green (RAL 6027)
Contact support plate	PC black (RAL 9005)
Contact insulation	PC transparent
IDC	CuNi2Si
IDC finish	min. 3-6 µm (120-240µin) Sn
Environmental Requirements	
Particulate ingress	IP2X
Water ingress	IPX0
Ambient temperature	-40°C to +70°C
Packaging material	bio-degradable
Electrical Characteristics	
Contact resistance	≤ 20 mΩ
Insulation resistance	≥ 500 MΩ
Voltage proof - contact-contact	≥ 1000 V (DC)
Voltage proof - contact-shield	≥ 1500 V (DC)
Current carrying capacity at 50°C	1,25 A
PoE according to IEEE 802.3at / IEEE802.3bt	Adequate
Transfer Impedance at 1 MHz	≤ 100 mΩ
Transfer Impedance at 10 MHz	≤ 200 mΩ
Transfer Impedance at 80 MHz	≤ 1600 mΩ

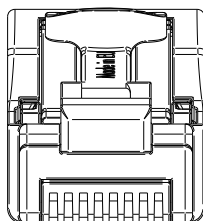
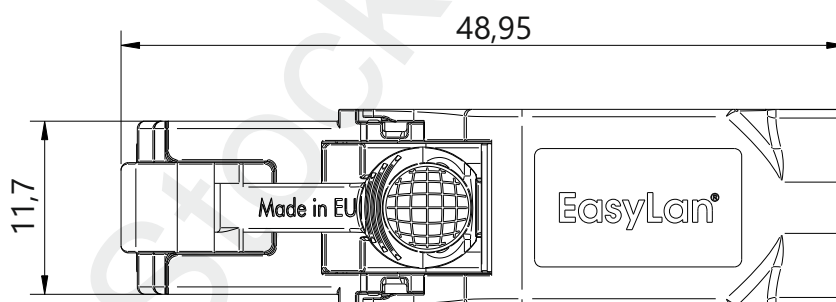
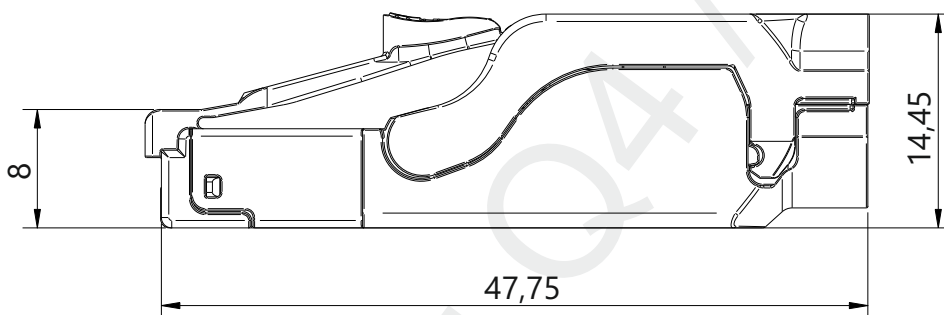
All rights reserved ZVK GmbH D-94244 Teisnach Technologiecampus 2 Germany Phone: +49 9923 804379-0 Fax: +49 9923 804379-50 www.zvk-gmbh.de alle Angaben ohne Gewähr

a	Neuerstellung	28.06.2022	LE	drawn	28.06.2022	LE	 EasyLan [®] ...for a better connectivity		
				appr.	28.06.2022	MJ			
				Titel:				Dimensions: mm	
				fixLink [®] RJ45 Plug Cat. 6A ISO/IEC AWG 26 - AWG 22				Original: DIN A4	
Index	Revision code	Date	Name	Drawing number:		Sheet 2 of 4			
				ZN-CU220058					

Technical Data

Transmission Performance	
10 Gigabit Ethernet acc. to IEEE 802.3an	Adequate
Categorie 6 _A	ISO/IEC 11801; DIN EN 50173-1
Packaging	1 piece per karton

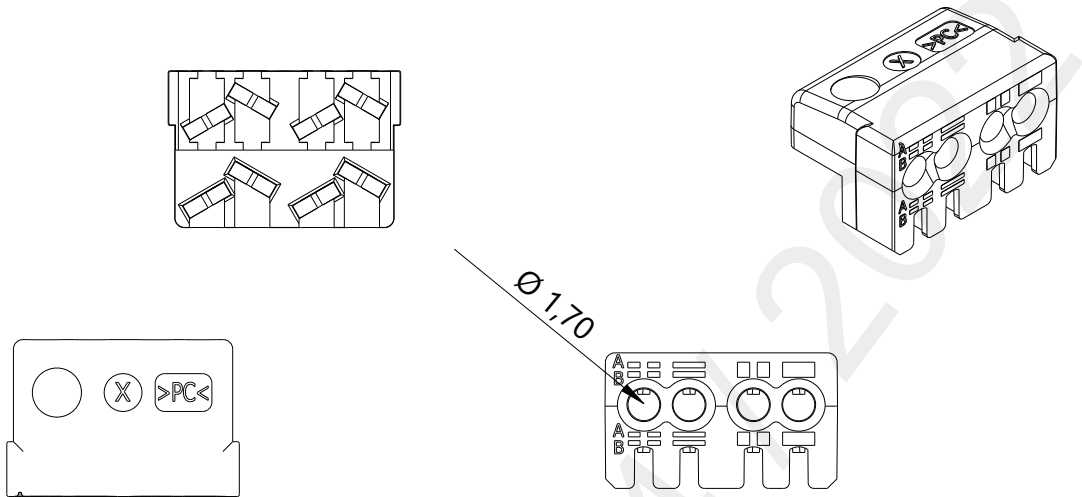
Drawing



All rights reserved ZVK GmbH D-94244 Teisnach Technologiecampus 2 Germany Phone: +49 9923 804379-0 Fax: +49 9923 804379-50 www.zvk-gmbh.de alle Angaben ohne Gewähr

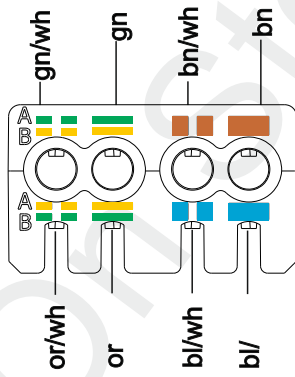
a	Neuerstellung	28.06.2022	LE	drawn	28.06.2022	LE	 EasyLan [®] ...for a better connectivity	
				appr.	28.06.2022	MJ		
				Titel: fixLink [®] RJ45 Plug Cat. 6A ISO/IEC AWG 26 - AWG 22				Dimensions: mm
				Drawing number: ZN-CU220058				Original: DIN A4
Index	Revision code	Date	Name				Sheet 3 of 4	

Drawing

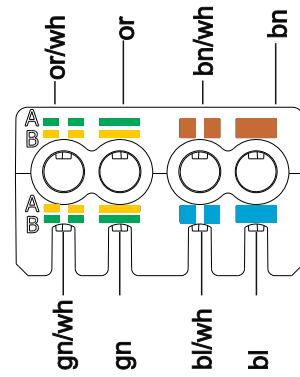



Configuration

Configuration to TIA/EIA 568 A



Configuration to TIA/EIA 568 B



a	Neuerstellung	28.06.2022	LE	drawn	28.06.2022	LE	 EasyLan [®] ...for a better connectivity			
				appr.	28.06.2022	MJ				
				Titel:				fixLink [®] RJ45 Plug Cat. 6A ISO/IEC AWG 26 - AWG 22		Dimensions: mm
				Drawing number:				ZN-CU220058		Original: DIN A4
Index	Revision code	Date	Name				Sheet 4 of 4			