

Washer extractor

WN6-8 Compass Pro



Washer featuring exceptional savings and effortless use



Priority on people

Certified ergonomic design with a human-centered approach for an outstanding user experience

Compass Pro® microprocessor offers:

- Easy program selection
- Language selection
- Quick selection and option buttons for the most frequently used wash programs and options
- Wash program packages optimized on Economy, Performance and Time



Long-term savings

Extremely low water and energy consumption – see table below

- High extraction force for efficient dewatering
- Super Balance guarantees the correct extraction force



Pure control

Monitoring of the status of the equipment and performance from anywhere, allowing to take action to improve the business

- Washers connectable to OnE Laundry, the personal assistant for hygiene validation, process management and revenue management



Global Advanced Hygiene

Global Advanced Hygiene program package* with proven log 6 reduction** disinfection of textiles through the laundry process, fulfilling the criteria of all local approved standards

Main options

- Automatic liquid detergent supply (optional I/O board)
- Connection to booking- /payment- system or coin meter



Images shown are a representation of the product only and variations may occur.

* Programs available in the standard library of all products, excluding products for specific segments where water temperature is not controllable.

** Log 6 reduction equals to 99,9999% viral infectivity reduction. The efficacy of reduction of SARS-CoV-2 and other pathogens in the process is confirmed by RISE (The Research Institute of Sweden) on the basis of Electrolux Professional laboratory data.

| Main specifications | | | | WN6-8 | | | |
|--|-------------|-----------------|-------------------|-----------------|-------------------|-----------------|-------------------|
| Rated capacity, filling factor 1:9 | kg/lb | | | 8/18 | | | |
| Drum, volume | litre | | | 75 | | | |
| | diameter | ø mm | | 520 | | | |
| Extraction | | rpm | | 668 | | | |
| G-factor | | | | 130 | | | |
| Standard heating alternatives | electricity | kW | 5.4 / 7.5 | | | | |
| Low energy heating alternatives | electricity | kW | 2.0 / 3.0 | | | | |
| | steam | | x | | | | |
| | non-heated | | x | | | | |
| Consumption data "Normal 60°C" | | | | EI | | Steam*** | |
| Total time | min | Full load, 8 kg | Half load**, 4 kg | Full load, 8 kg | Half load**, 4 kg | Full load, 8 kg | Half load**, 4 kg |
| Water consumption (cold+hot) | litre | 44 | 42 | 44 | 42 | 60+0 | 45+0 |
| Energy consumption (motor/heating/hot water) | kWh | 47+13 | 37+8 | 0.1/- | 0.1/- | 0.1/- | 0.1/- |
| Steam consumption | kg | 0.1/0.35/0.8 | 0.1/0.25/0.45 | - | - | 1.75 | 1.05 |
| Residual moisture | % | - | - | 65 | 74 | 65 | 74 |

* Water temperature 15°C cold water and 65°C hot water.

** Programs with AS.

*** Depending on steam pressure.

| Electrical connections | | | | | |
|------------------------|---------------------|--------------|------------------|----------------|--------------------|
| Heating alternative | Main voltage | | Heating power kW | Total power kW | Recommended fuse A |
| | | Hz | | | |
| Electric heated | 220-240V 1/1N - | 50/60 | 2.0/3.0 | 2.3/3.4 | 16/16 |
| | 220-240V 1/1N - | 50/60 | 5.4/7.5 | 5.7/7.8 | 25/35 |
| | 220-240V 3 - | 50/60 | 2.0/3.0 | 2.2/3.4 | 10/10 |
| | 220-240V 3 - | 50/60 | 5.4/7.5 | 5.7/7.8 | 16/25 |
| | 380-415V 3N/3 - | 50/60 | 2.0/3.0 | 2.2/3.4 | 10/10 |
| | 380-415V 3N/3 - | 50/60 | 5.4/7.5 | 5.7/7.8 | 10/16 |
| | 440V 3 - | 50/60 | 5.4/7.5 | 5.7/7.9 | 10/16 |
| | 480V 3 - | 60 | 5.4/7.5 | 5.7/7.9 | 10/16 |
| | Steam or Non heated | 220-480V 1 - | 50/60 | - | 1.0 |

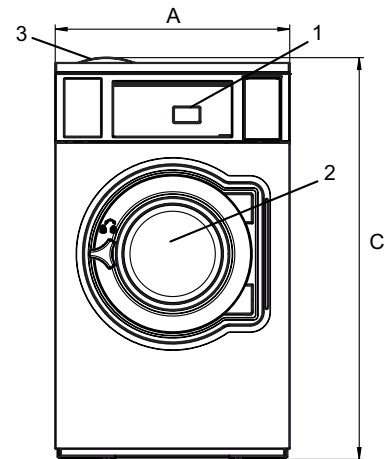
* Total power and recommended fuse does not depend on the heating power in those cases.

| Water and steam connection | | WN6-8 |
|---|---------------------------|-----------|
| Water valves | DN | 20 |
| Water pressure | kPa | 200-600 |
| Capacity at 300 kPa | l/min | 20 |
| Drain valve | ø mm | 75 |
| Draining capacity | l/min | 170 |
| Steam valve | DN | 15 |
| Steam pressure | kPa | 300-600 |
| Liquid detergent supplies | | 5 |
| Floor requirements | | |
| Frequency of the dynamic force | Hz | 9.8 |
| Floor load at max extraction | kN | 1.6 ± 1.9 |
| Sound levels | | |
| Sound power/pressure level at extraction* | dB(A) | 68/53 |
| Sound power/pressure level at wash* | dB(A) | 62/48 |
| Heat emission | | |
| % of installed power, max | | 5 |
| Shipping data** | | |
| Weight | net, kg | 116 |
| Shipping volume | m ³ | 0.75 |
| Accessories | | |
| Steel base | | x |
| Hose kits for water or steam | | x |
| Fluff collector | | x |
| Dimensions in mm | | |
| A Width | | 660 |
| B Depth | | 680 |
| C Height | | 1135 |
| D1 | | 360 |
| D2 | | 425 |
| E | | 1110 |
| F | | 835 |
| G | | 80 |
| H | | 1035 |
| I | | 215 |
| J | | 125 |
| K | | 1015 |
| L | | 915 |
| M | | 280 |
| N | | 100 |
| O | | 200 |
| 1 Operating panel | 7 Drain valve | |
| 2 Door opening ø 310 mm | 8 Liquid detergent supply | |
| 3 Detergent box | 9 Electrical connection | |
| 4 Cold water | 10 Steam connection | |
| 5 Hot water | | |
| 6 Re-used water | | |

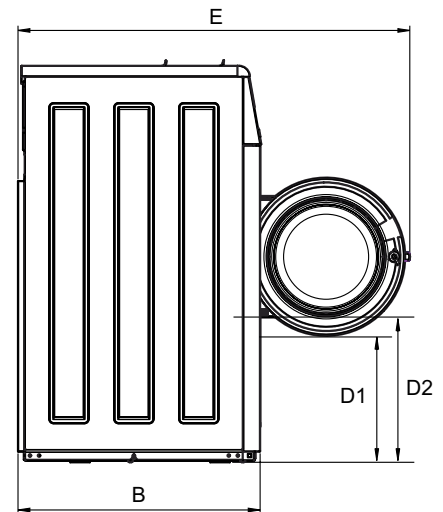
Front and side panels in silver grey and dark blue (color samples can be ordered on part number 472998313).

* Sound power levels measured according to ISO 60704.

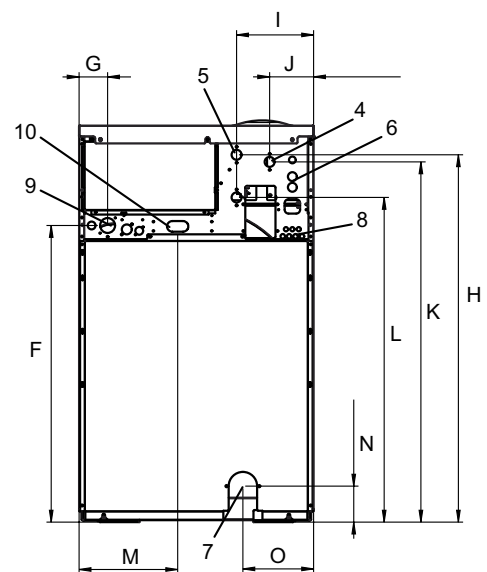
** Average data. Crated weight/shipping volume depends on configuration. Please contact logistics for exact measures.



Front



Side view



Rear