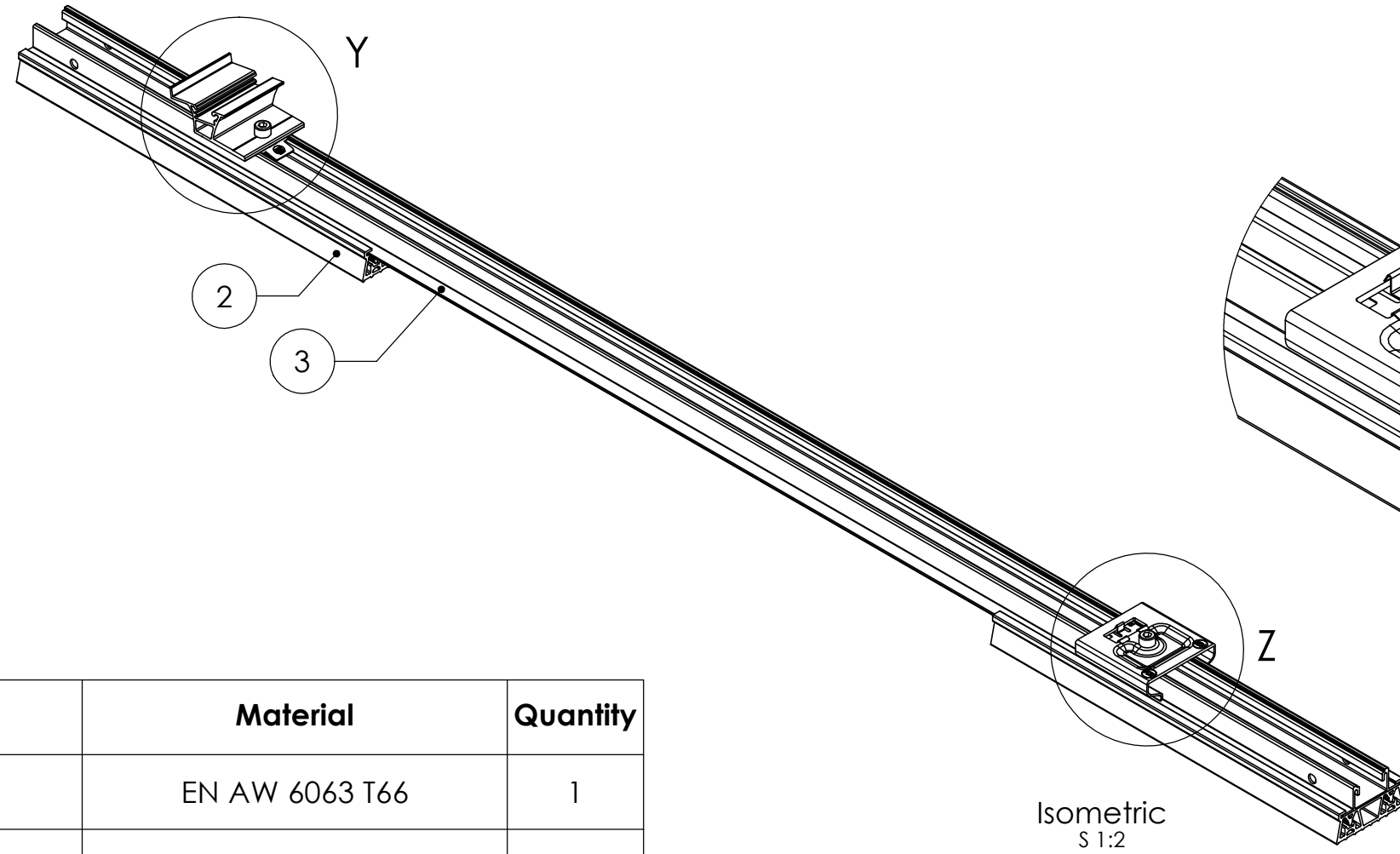
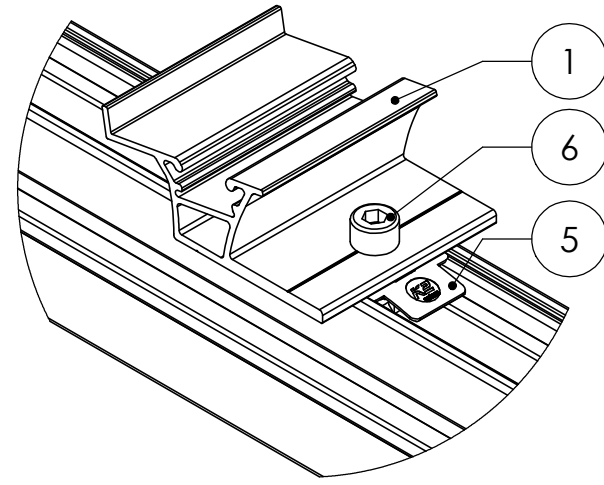
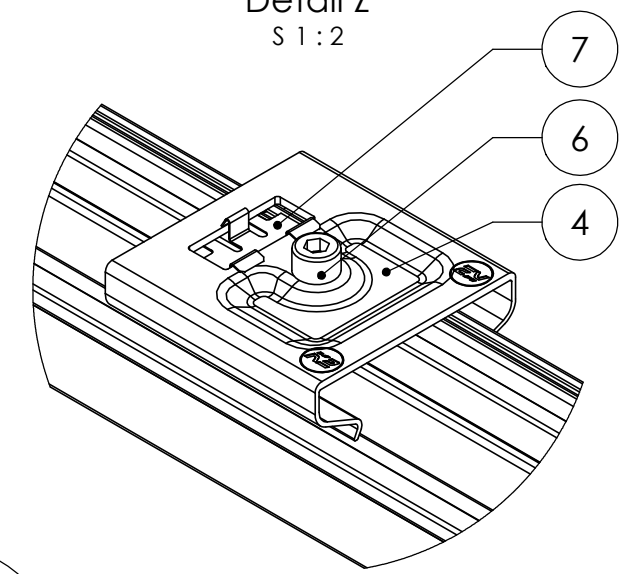


Detail Y
S 1:2

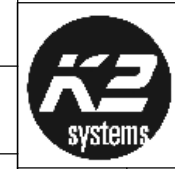


Detail Z
S 1:2



Isometric
S 1:2

Pos.No.	Designation	Material	Quantity
1	Dome 6.10 SD	EN AW 6063 T66	1
2	Mat S 380	EPDM Shore 70	2
3	S-Dome 6.10 SpeedRail 1,45 m	EN AW 6063 T66	1
4	Dome 6 EndPlate	EN AW 6063 T66	1
5	MK2	Stainless steel 1.4301/TPC	2
6	Socket head bolt serrated ISO4762 - M8x20	Stainless steel A2	2
7	Dome 6 Clip	EN AW 6063 T66	1



K2 Systems GmbH
Industriestr. 18
71272 Renningen
Germany
+49 7159 42059-0

Designation:		Data sheet S-Dome 6.10 Base Set	
Item no.:	2003247	A3	
Drawing no.:	07-467-12	All dimensions in mm	
Last change		Sheet 1 of 1	

	Name	Date	Material:
Designed	A. Gerstenberger	26.05.2020	see table
Approved	M. Wiggers	04.06.2020	Surface: -
Last change	A. Gerstenberger	26.05.2020	Weight: ca. 1867.4 g/pc Scale: 1:5

This drawing is the sole property of K2 Systems GmbH. It is protected by copyright and may only be copied, reproduced or distributed to a third party with explicit permission!