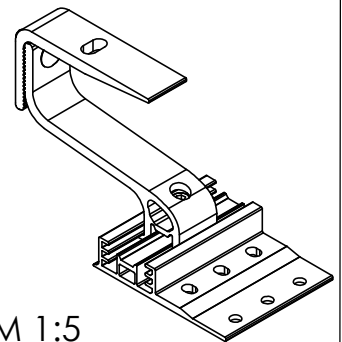
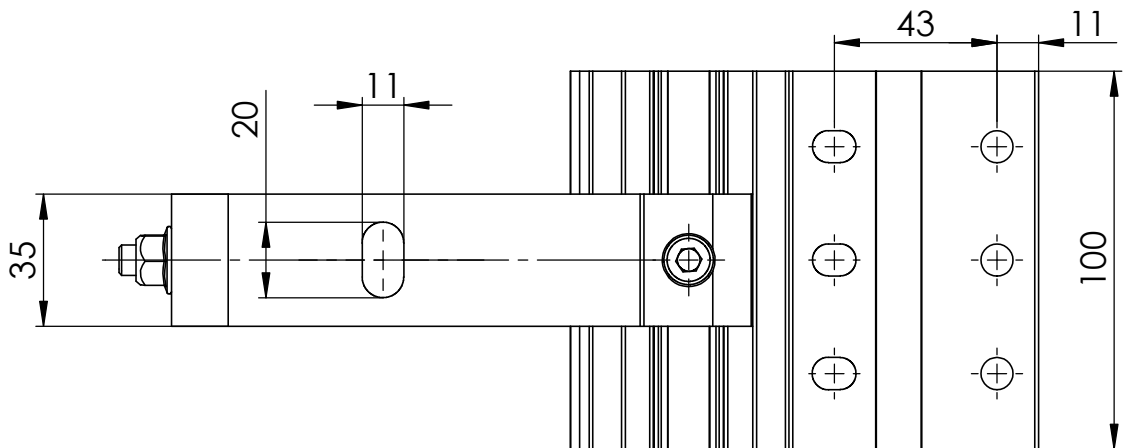
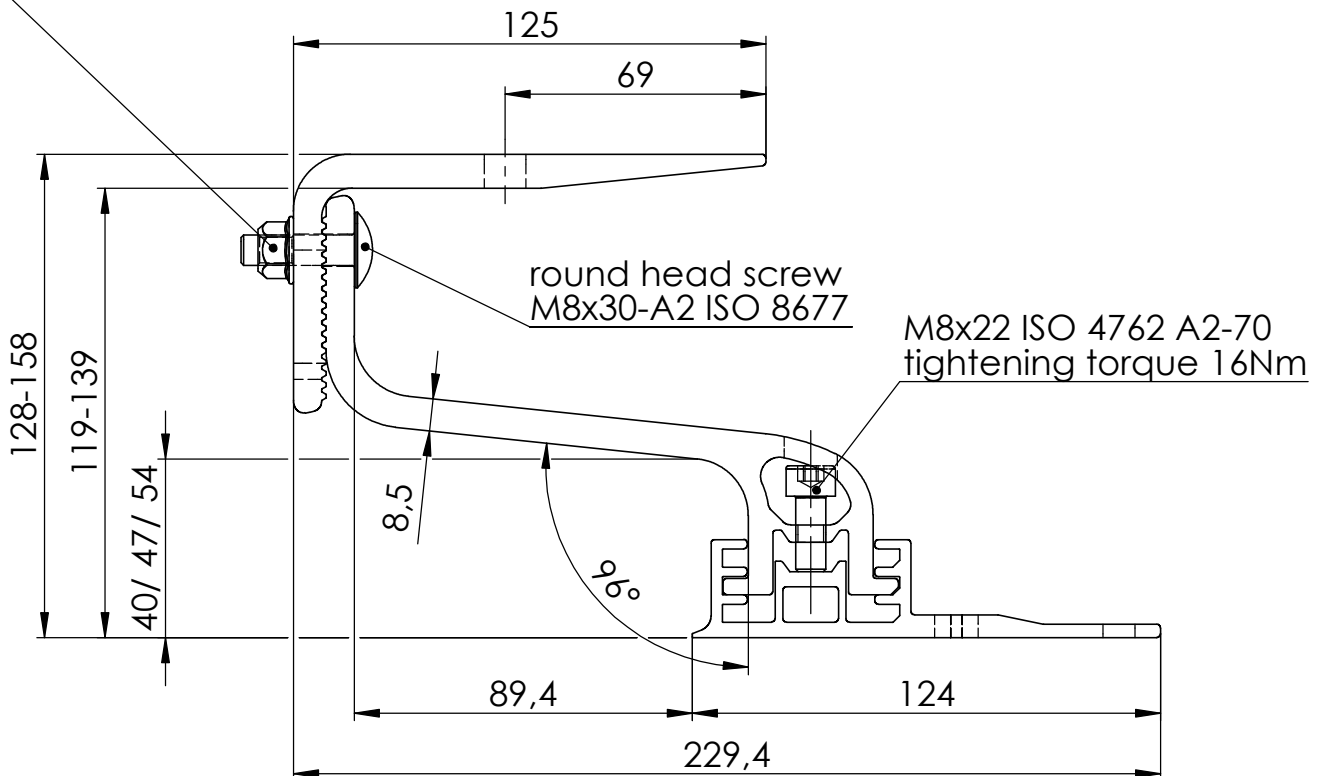


hexagonal nut with interlocking gearing
 M8-A2 similar to ISO 4161
 tightening torque 16Nm



K2 Systems GmbH
 Industriestr. 18
 71272 Renningen
 07159/42059-0

Designation:

Data sheet
 DH CrossHook 4S⁺

F	Name	Date	Material:	Item no.:	A4		
	Designed	M.Preiß	05.07.2016	Aluminium / Edelstahl A2		2002402	
	Approved	M. Wiggers	06.07.2016	Surface: mill finish	Drawing no.:	02-215-001	All dimensions in mm
	Last change			Weight: ca. 550g/Stck	Scale:1:2 (1:5)	Tolerance ISO 8015	General tolerances DIN ISO 2768mK

This drawing is the sole property of K2 Systems GmbH. It is protected by copyright and may only be copied, reproduced or distributed to a third party with explicit permission!