

1

2

3

4

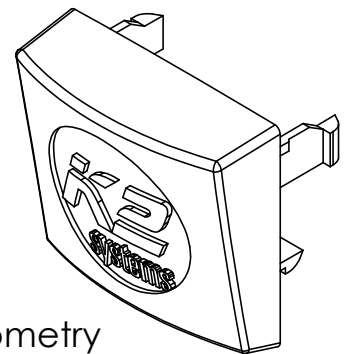
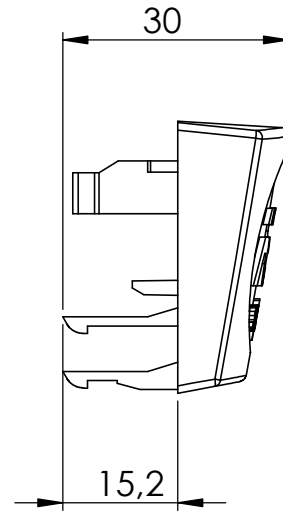
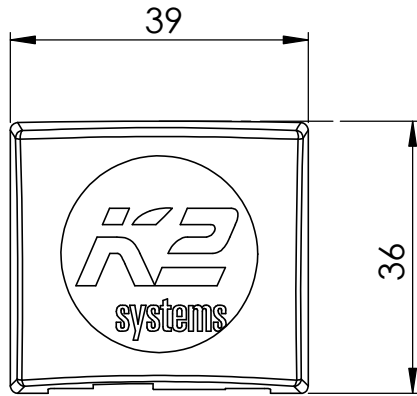
A

B

C

D

E



Isometry
S 1:1

F



K2 Systems GmbH
Industriestr. 18
71272 Renningen
07159/42059-0

Designation:

Data sheet
SingleRail 36 End cap

	Name	Date	Material:	Item no.:	1004767	A4
Designed	M.Preiß	31.01.2018	PA6 GF15 black			
Approved	B. Koch	21.01.2020	Surface: -	Drawing no.:	04-067-03	All dimensions in mm
Last change	S. Frey	16.01.2020	Weight: ca. 8 g/pcs	Scale: 1:1	Tolerance ISO 8015	Sheet 1 of 1

This drawing is the sole property of K2 Systems GmbH. It is protected by copyright and may only be copied, reproduced or distributed to a third party with explicit permission!