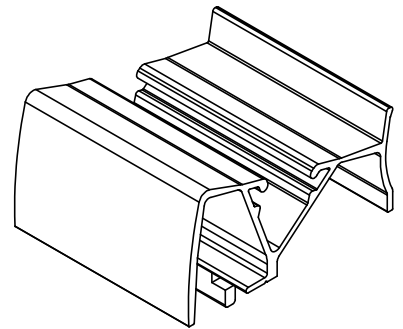



Characteristics for calculation:

A = 402.49 mm²

M 1:2



| | | | | | | | | | |
|---|---|-----|-------------------|---|------------------|---|--------------------|----------------------|--|
| F |  | | | K2 Systems GmbH Industriestr. 18 71272 Renningen 07159/42059-0 | | Designation: <h2 style="text-align: center;">Data sheet Dome V SD</h2> | | | |
| | Name | | Date | Material: | | Item no.: | | | |
| | Designed B. Benzinger | | 09.04.2019 | EN AW 6063 T66 | | 2003061 | | | |
| | Approved M. Wiggers | | 09.04.2019 xxx | Surface: blank | | Drawing no.: 07-306-01 | | | |
| Last change xxx | | xxx | Weight: ca. 82,76 | | Scale: 1:1 (1:2) | | Tolerance ISO 8015 | | |
| | | | | | | Tolerances DIN EN 755-9 | | All dimensions in mm | |
| | | | | | | | | Sheet 1 of 1 | |
| This drawing is the sole property of K2 Systems GmbH. It is protected by copyright and may only be copied, reproduced or distributed to a third party with explicit permission! | | | | | | | | | |